

### THICK FILM POWER RESISTORS PR250

#### FEATURES

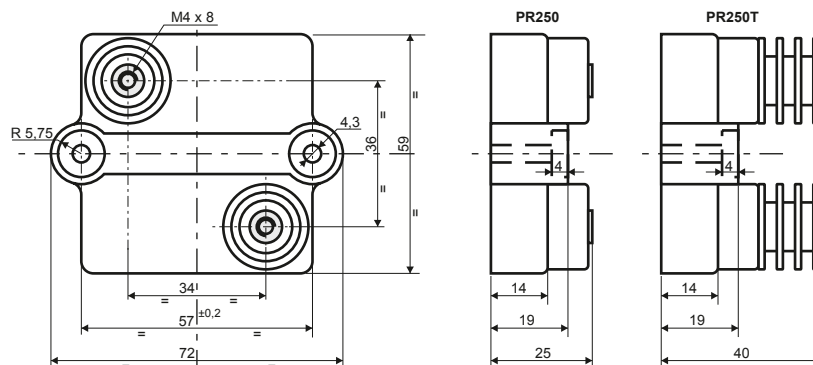
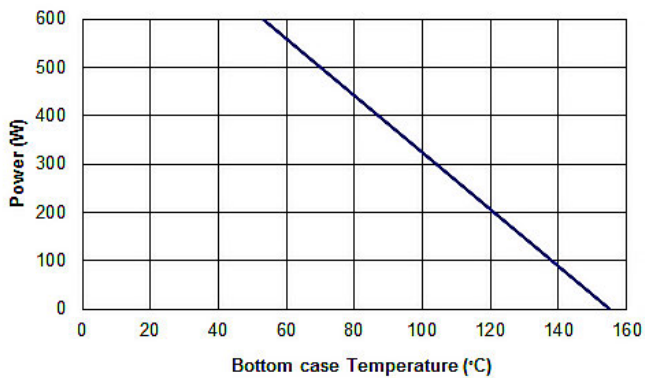
Very good ratio Power / Volume  
Easy mounting and wiring with significant cost advantages.  
Non inductive performance for high frequency applications.  
One models for power applications up to 500W.  
Suited to ULV94-V0 application.



#### ELECTRICAL SPECIFICATIONS

- Power rating: 250W (heatsink at 100°C)
- Resistance range: From 1R0 to 1MΩ, E12 series
- Tolerance: Standard 10%, up to 1% on request
- Temperature coefficient:  $\pm 100$  ppm/°C
- Max Work. Voltage: 5000 Vac
- Work Temp. Range: From -55°C to +155°C
- Dielectric Strength: 7000 Vac (12000 Vac x PR250T)
- Insulation resistance:  $> 10^5$  MΩ at 500V
- Creep distance: 42 mm (65 mm x PR250T)
- Air gap distance: 16 mm (29mm x PR250T)
- Partial discharge:  $< 10$  pC @ 5000 Vac
- Self inductance: 80 nH
- Parallel capacitance: 40 pF
- Capacitance to heatsink:  $< 120$  pF
- Overload : 4 Pn x 10 s
- Thermal resistance: 0.15 °C/W
- Heatsink flatness: 0.05 mm Max
- Heatsink surface finish: 6.3 μm Max
- Thermal grease: Required  $\lambda > 1$ W/mk
- Max torque for contacts: 2Nm (static)
- Max torque for mounting: 2Nm (static)
- Weight: 100 g (130 gr for PR250T)
- Options: For values R039 <R< 1R0 is available Metal Foil type PR500M

PR250 - Power derating



"Connection and mounting screws are supplied with the resistor  
All dimensions are in mm"